

FAST EKO



L'immagine soprastante rappresenta la lampada FAST installata con scatola ad incasso.



IDEALE PER INSTALLAZIONI IN AMBIENTI COME:

- UFFICI
- ABITAZIONI PRIVATE
- NEGOZI
- ALBERGHI

CARATTERISTICHE PRINCIPALI:



Dimensioni compatte



Ampia gamma
da 100 a 500 lumen



Adatta per interni ed
esterni (IP42 o IP65)

FAST EKO

LAMPADA DI EMERGENZA A LED

Fabbricazione elettronica italiana al 100%
100% Italian electronics manufacturing

Alimentazione 230Vca -50Hz
230Vca-50Hz input Power

Grado di protezione IP42 o IP65
IP42 or IP65 protection degree

Grado di resistenza agli urti IK07
IK07 shock resistance degree

Materiale corpo in policarbonato autoestinguente V2
Self-extinguishing (V2) polycarbonate body material

Materiale diffusore in policarbonato autoestinguente V2
Self-extinguishing (V2) polycarbonate reflector material

Fissaggio diffusore a scatto (IP42)
Snap reflector fixing (IP42)

Fissaggio diffusore tramite viti e boccole in ottone MA3 (IP65)
Reflector fixing through MA3 brass screws and bushings (IP65)

Temperatura operativa 0°C / +40°C
0°C / +40°C working temperature

Glow wire test 850°C (2.0mm)
850°C (2.0mm) glow wire test

Tipo di funzionamento S.E. o S.E./S.A.
NOT PERMANENT or PERMANENT functioning

Autonomia da 60 a 180 minuti
From 60 to 180 minutes autonomy

Tempo di ricarica 12 ore
12 hours recharging time

Montaggio a parete o ad incasso tramite WALLBOX FST-V2 (cod.19716)
Wall mounting or recessed wall mounting by WALLBOX FST-V2(cod.19716)

Batteria Ni-MH ricaricabile, garantita 4 anni
Rechargeable Ni-MH battery, 4 years warranty

Ricarica della batteria a corrente costante
Battery recharging at constant rated current

Protezione della batteria a scarica completa
Battery protection at full discharging

LED verde spia presenza rete
Green LED power ON

Fonte luminosa LED Alta efficienza
High efficiency LED Light source

Gamma flusso luminoso nominale da 100 a 500 Lumen
Luminous flux range from 100 to 500 Lumen

Resa cromatica (CRI) 80
80 colour rendering index

Temperatura colore 5000K
5000K colour temperature

Zero rischio fotobiologico secondo EN62471
Photobiological no-risk according to EN62471

Garanzia sulla fonte luminosa LED di 10 anni
10 years warranty on LED light source

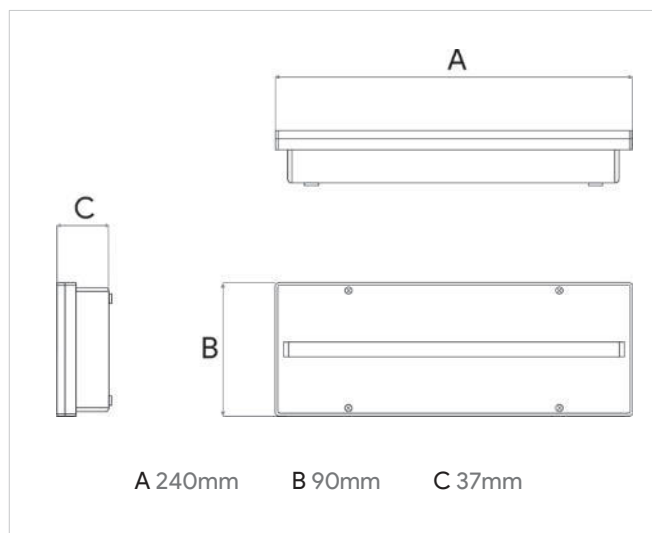
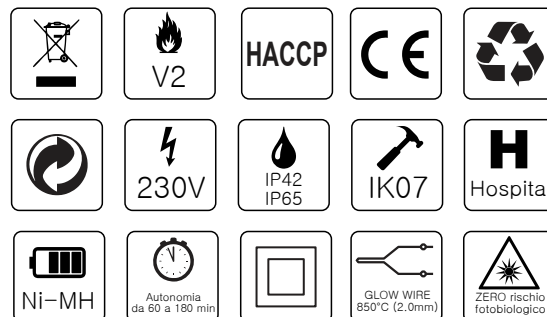
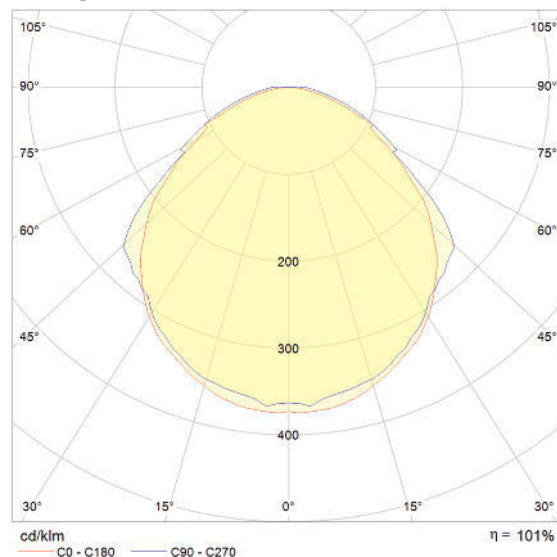


Diagramma polare
Polar diagram



FAST EKO - STANDARD S.E. IP42						
CODICE	ARTICOLO	LUMEN	AUTONOMIA	BATTERIA	TEMPO DI RICARICA	MODO
61459	FEK100NM10SE42	100	60 min	Ni-Mh	12 h	S.E.
61460	FEK100NM20SE42	100	120 min	Ni-Mh	12 h	S.E.
61461	FEK100NM30SE42	100	180 min	Ni-Mh	12 h	S.E.
61462	FEK150NM10SE42	150	60 min	Ni-Mh	12 h	S.E.
61463	FEK150NM20SE42	150	120 min	Ni-Mh	12 h	S.E.
61464	FEK150NM30SE42	150	180 min	Ni-Mh	12 h	S.E.
61465	FEK200NM10SE42	200	60 min	Ni-Mh	12 h	S.E.
61466	FEK200NM20SE42	200	120 min	Ni-Mh	12 h	S.E.
61467	FEK200NM30SE42	200	180 min	Ni-Mh	12 h	S.E.
61468	FEK300NM10SE42	300	60 min	Ni-Mh	12 h	S.E.
61469	FEK300NM20SE42	300	120 min	Ni-Mh	12 h	S.E.
61470	FEK300NM30SE42	300	180 min	Ni-Mh	12 h	S.E.
61471	FEK400NM10SE42	400	60 min	Ni-Mh	12 h	S.E.
61472	FEK400NM20SE42	400	120 min	Ni-Mh	12 h	S.E.
61473	FEK400NM30SE42	400	180 min	Ni-Mh	12 h	S.E.
61474	FEK500NM10SE42	500	60 min	Ni-Mh	12 h	S.E.
61475	FEK500NM20SE42	500	120 min	Ni-Mh	12 h	S.E.
61476	FEK500NM30SE42	500	180 min	Ni-Mh	12 h	S.E.

FAST EKO - STANDARD S.E./S.A. IP42						
CODICE	ARTICOLO	LUMEN	AUTONOMIA	BATTERIA	TEMPO DI RICARICA	MODO
61477	FEK100NM10SESA42	100	60 min	Ni-Mh	12 h	S.E./S.A.
61478	FEK100NM20SESA42	100	120 min	Ni-Mh	12 h	S.E./S.A.
61479	FEK100NM30SESA42	100	180 min	Ni-Mh	12 h	S.E./S.A.
61480	FEK150NM10SESA42	150	60 min	Ni-Mh	12 h	S.E./S.A.
61481	FEK150NM20SESA42	150	120 min	Ni-Mh	12 h	S.E./S.A.
61482	FEK150NM30SESA42	150	180 min	Ni-Mh	12 h	S.E./S.A.
61483	FEK200NM10SESA42	200	60 min	Ni-Mh	12 h	S.E./S.A.
61484	FEK200NM20SESA42	200	120 min	Ni-Mh	12 h	S.E./S.A.
61485	FEK200NM30SESA42	200	180 min	Ni-Mh	12 h	S.E./S.A.
61486	FEK300NM10SESA42	300	60 min	Ni-Mh	12 h	S.E./S.A.
61487	FEK300NM20SESA42	300	120 min	Ni-Mh	12 h	S.E./S.A.
61488	FEK300NM30SESA42	300	180 min	Ni-Mh	12 h	S.E./S.A.
61489	FEK400NM10SESA42	400	60 min	Ni-Mh	12 h	S.E./S.A.
61490	FEK400NM20SESA42	400	120 min	Ni-Mh	12 h	S.E./S.A.
61491	FEK400NM30SESA42	400	180 min	Ni-Mh	12 h	S.E./S.A.
61492	FEK500NM10SESA42	500	60 min	Ni-Mh	12 h	S.E./S.A.
61493	FEK500NM20SESA42	500	120 min	Ni-Mh	12 h	S.E./S.A.
61494	FEK500NM30SESA42	500	180 min	Ni-Mh	12 h	S.E./S.A.

FAST EKO - STANDARD S.E. IP65						
CODICE	ARTICOLO	LUMEN	AUTONOMIA	BATTERIA	TEMPO DI RICARICA	MODO
61495	FEK100NM10SE65	100	60 min	Ni-Mh	12 h	S.E.
61496	FEK100NM20SE65	100	120 min	Ni-Mh	12 h	S.E.
61497	FEK100NM30SE65	100	180 min	Ni-Mh	12 h	S.E.
61498	FEK150NM10SE65	150	60 min	Ni-Mh	12 h	S.E.
61499	FEK150NM20SE65	150	120 min	Ni-Mh	12 h	S.E.
61500	FEK150NM30SE65	150	180 min	Ni-Mh	12 h	S.E.
61501	FEK200NM10SE65	200	60 min	Ni-Mh	12 h	S.E.
61502	FEK200NM20SE65	200	120 min	Ni-Mh	12 h	S.E.
61503	FEK200NM30SE65	200	180 min	Ni-Mh	12 h	S.E.
61504	FEK300NM10SE65	300	60 min	Ni-Mh	12 h	S.E.
61505	FEK300NM20SE65	300	120 min	Ni-Mh	12 h	S.E.
61506	FEK300NM30SE65	300	180 min	Ni-Mh	12 h	S.E.
61507	FEK400NM10SE65	400	60 min	Ni-Mh	12 h	S.E.
61508	FEK400NM20SE65	400	120 min	Ni-Mh	12 h	S.E.
61509	FEK400NM30SE65	400	180 min	Ni-Mh	12 h	S.E.
61510	FEK500NM10SE65	500	60 min	Ni-Mh	12 h	S.E.
61511	FEK500NM20SE65	500	120 min	Ni-Mh	12 h	S.E.
61512	FEK500NM30SE65	500	180 min	Ni-Mh	12 h	S.E.

FAST EKO - STANDARD S.E./S.A. IP65						
CODICE	ARTICOLO	LUMEN	AUTONOMIA	BATTERIA	TEMPO DI RICARICA	MODO
61513	FEK100NM10SESA65	100	60 min	Ni-Mh	12 h	S.E./S.A.
61514	FEK100NM20SESA65	100	120 min	Ni-Mh	12 h	S.E./S.A.
61515	FEK100NM30SESA65	100	180 min	Ni-Mh	12 h	S.E./S.A.
61516	FEK150NM10SESA65	150	60 min	Ni-Mh	12 h	S.E./S.A.
61517	FEK150NM20SESA65	150	120 min	Ni-Mh	12 h	S.E./S.A.
61518	FEK150NM30SESA65	150	180 min	Ni-Mh	12 h	S.E./S.A.
61519	FEK200NM10SESA65	200	60 min	Ni-Mh	12 h	S.E./S.A.
61520	FEK200NM20SESA65	200	120 min	Ni-Mh	12 h	S.E./S.A.
61521	FEK200NM30SESA65	200	180 min	Ni-Mh	12 h	S.E./S.A.
61522	FEK300NM10SESA65	300	60 min	Ni-Mh	12 h	S.E./S.A.
61523	FEK300NM20SESA65	300	120 min	Ni-Mh	12 h	S.E./S.A.
61524	FEK300NM30SESA65	300	180 min	Ni-Mh	12 h	S.E./S.A.
61525	FEK400NM10SESA65	400	60 min	Ni-Mh	12 h	S.E./S.A.
61526	FEK400NM20SESA65	400	120 min	Ni-Mh	12 h	S.E./S.A.
61527	FEK400NM30SESA65	400	180 min	Ni-Mh	12 h	S.E./S.A.
61528	FEK500NM10SESA65	500	60 min	Ni-Mh	12 h	S.E./S.A.
61529	FEK500NM20SESA65	500	120 min	Ni-Mh	12 h	S.E./S.A.
61530	FEK500NM30SESA65	500	180 min	Ni-Mh	12 h	S.E./S.A.